

OVAL STANDARD LOCK

CARABINER

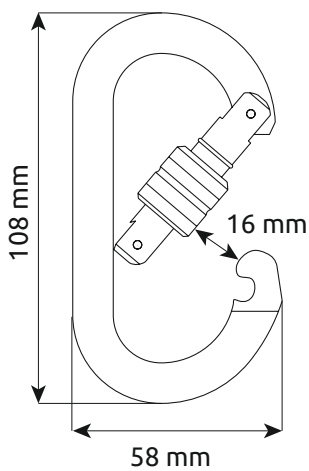
Ref. 0981E
Ref. 0981E01

Simple and versatile steel oval carabiner for basic fall arrest and positioning applications.
Screw gate locking system.

Zinc plated
carbon steel
body and gate

Anodized
aluminium alloy
screw

CE marking
including individual
serial number



Ref. 0981E01 - 5 pcs



Ref.	Product name Nombre del producto	Weight Peso								CE	ERC
		g	oz								
0981E	OVAL STANDARD LOCK	160	5.6	28	7	10	16	108	58	B	•